

## LED POOL LUMINAIRE

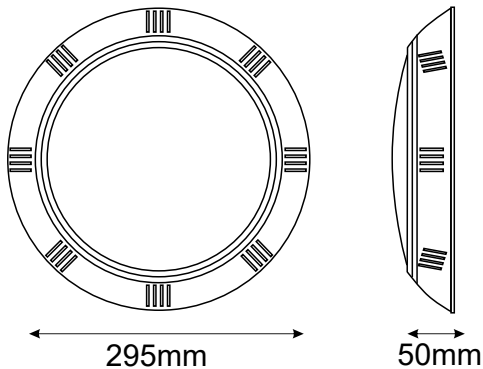
Code:  
**ALBA25NW**

**2 YEARS**  
GUARANTEE




### Application

This luminaire is suitable for underwater application



2x1.5mm<sup>2</sup> VDE H07RN-F

### Technical Data

Housing Material	Polycarbonate
Optic Material	Plastic
Input Voltage	12V AC/DC
Input Frequency	50~60Hz
Total Wattage	25W
LED Type	SMD
Lifespan	30.000 hours
Protection Class	CLASS III 
Ingress Protection	IP68
Mechanical Impact Degree	IK09
LED Driver	Yes
Dimming	No
Replaceable LED / Driver	No / Yes

### Photometrical Data

Color Temperature	4000K
Lumen	2030Lm
Light Beam Spread	90°
Color Rendering Index (Ra)	≥80

### Energy Data

Energy Efficiency Label	F
Energy Consumption	25.0 kWh/1000h

The technical data of the product may differ from the listed +/- 10%



**APOSTOLIDIS TRADING**  
Industrial area of Serres | 62100 Serres, Greece  
T. +30 23210 77020-21 | F. +30 23210 77022  
info@acalight.gr | www.acalight.gr

