

LED POOL LUMINAIRE

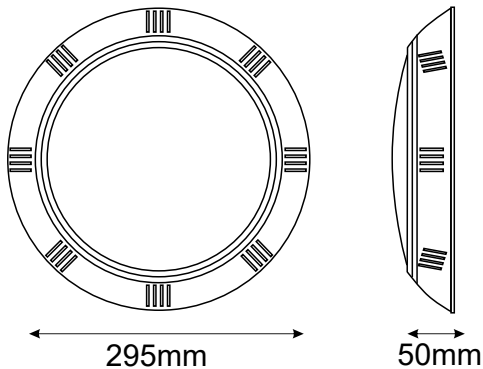
Code:
ALBA25RGB

2 YEARS
GUARANTEE




Application

This luminaire is suitable for underwater application



2x1.5mm² VDE H07RN-F

Technical Data

Housing Material	Polycarbonate
Optic Material	Plastic
Input Voltage	12V AC
Input Frequency	50~60Hz
Total Wattage	25W
LED Type	SMD
Lifespan	30.000 hours
Protection Class	CLASS III 
Ingress Protection	IP68
Mechanical Impact Degree	IK09
LED Driver	Yes
Dimming	No
Replaceable LED / Driver	No / Yes

Photometrical Data

Color Temperature	RGB
Light Beam Spread	90°

Energy Data

Energy Consumption	25.0 kWh/1000h
--------------------	----------------

The technical data of the product may differ from the listed +/- 10%



APOSTOLIDIS TRADING
Industrial area of Serres | 62100 Serres, Greece
T. +30 23210 77020-21 | F. +30 23210 77022
info@acalight.gr | www.acalight.gr

