

LED SMD HIGH BAY

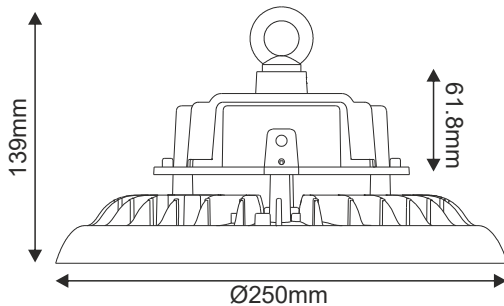
Code:
ASTREK10050NH

5 YEARS
GUARANTEE



Application

- Suitable for industrial lighting application and sports facilities



Technical Data

Housing Material	Die-casting Aluminum
Optic Material	Polycarbonate
Color	Black
Input Voltage	230V AC
Input Frequency	50~60Hz
Total Wattage	100W
LED Type	SMD (LM80)
Lifespan	50.000 hours
Protection Class	CLASS I
Ingress Protection	IP65
Mechanical Impact Degree	IK08
Surge Protection	4kV
Total Harmonic Distortion (THD)	<10%
Power Factor	≥0.95
Operation Temperature	-40~+50°C
LED Driver	SOSEN (Built-in)
Dimming	1-10V (10-100%)
Replaceable LED / Driver	Yes / Yes
Power Supply Cable	3*1.00mm ² (1000mm)

Photometrical Data

Color Temperature	5000K
Lumen	15000Lm
Light Beam Spread	90° Symmetrical
Color Rendering Index (Ra)	≥80

Energy Data

Energy Efficiency Label	C
Energy Consumption	100.0 kWh/1000h

The technical data of the product may differ from the listed +/- 10%

