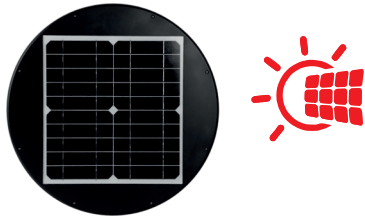


**LED SOLAR URBAN LUMINAIRE
AUTO ON - OFF INTELLIGENT SYSTEM**

Code:
TOUR20CCT

**3 YEARS
GUARANTEE**
Luminaire

**1 YEARS
GUARANTEE**
Battery



Technical Data

Material **ABS**

Color **Black**

Power **20W**

LED Chip Type **SMD (Lm80)**

Lifetime (Hours) **30.000 hrs**

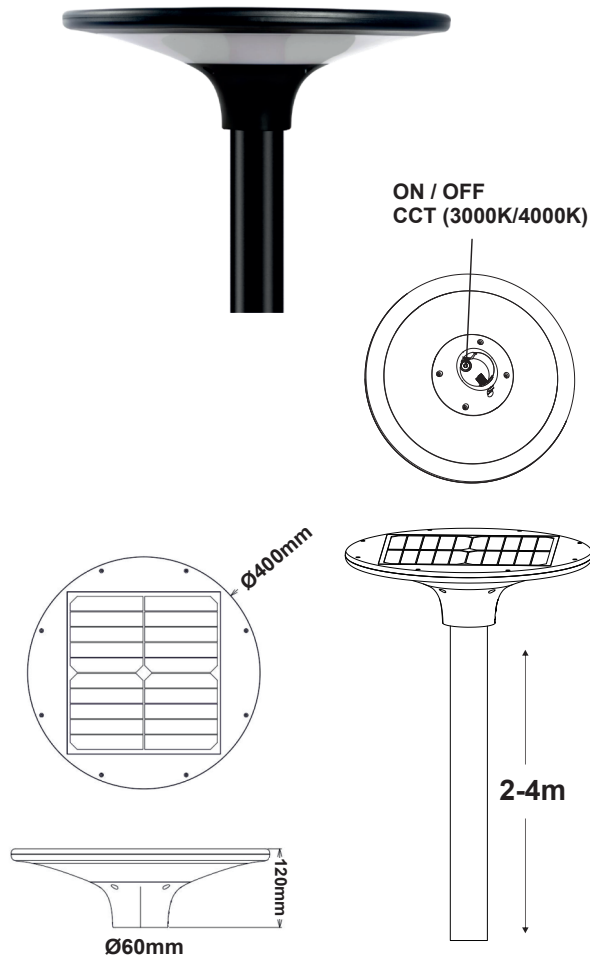
IP- Fluid and Dust Protection Indicator **IP65**

Operating Temperature **-20°~+40°C**

Type of Panel **Mono-crystalline silicon
10V / 11.5W**

Driver LED **Yes (inside)**

Replaceable LED Chip / Power Supply / Converter **Yes / Yes / Yes**



ON / OFF
CCT (3000K/4000K)

Photometrical Data

Color Temperature (Kelvin) **3000K / 4000K**

Luminus Flux (Lumen) **2100Lm***

Beam Angle/ Light Direction **360°**

Color Rendering Index (CRI) **≥80**

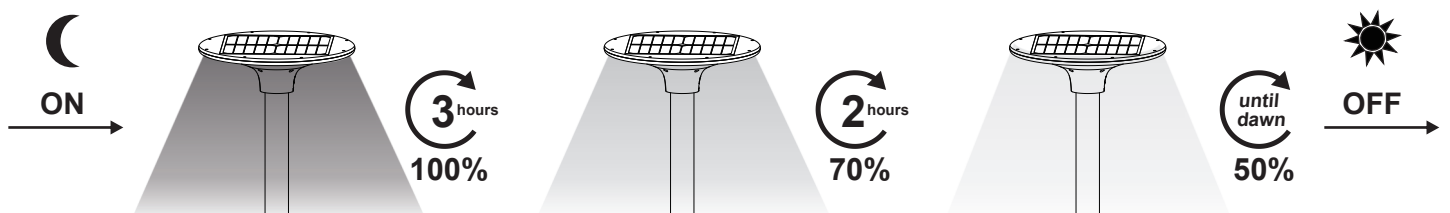
Energy Data

Battery characteristics **LiFePO4 32700
6.4V • 6000mAh**

Autonomy **3 days***

Application

- This luminaire is suitable for outdoor installation



*Depends on battery charging level

The technical data of the product may differ from the listed +/- 10%

