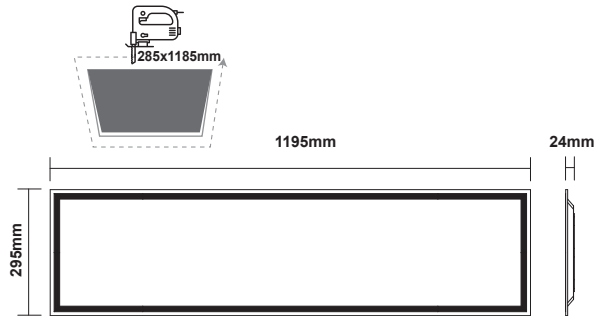


LED SMD PANEL

5 YEARS
GUARANTEE



Application

Suitable for indoor installation

Technical Data

Housing Material	Aluminum
Optic Material	Plastic Opal
Color	White
Input Voltage	230V AC
Input Frequency	50~60Hz
Total Wattage	30W
LED Type	SMD
Lifespan	50.000 hours
Protection Class	CLASS II
Ingress Protection	Ip40
Total Harmonic Distortion (THD)	<10%
Ripple	±5%
Power Factor	≥0.90
Operation Temperature	-20° ~ +40°
LED Driver	Yes (External)
Dimming	No
Replaceable LED / Driver	No / Yes

Photometrical Data

Color Temperature	4000K
Lumen	3600Lm
Light Beam Spread	120° Symmetric
Color Rendering Index (Ra)	≥80

Energy Data

Energy Class	E
Energy Consumption	30.0 kWh/1000h

The technical data of the product may differ from the listed +/- 10%

