

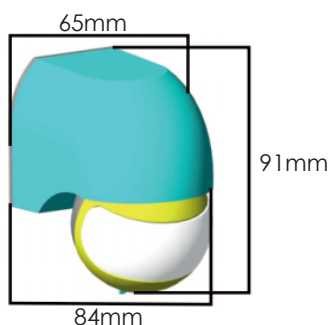
MOTION DETECTOR WALL MOUNTED

**3 YEAR
GUARANTEE**


Features:

PIR Motion detector, which is functioning according to whether there is motion within its range field and it controls the on and off function of other loads (lights), of 1200W maximum in case of incandescent lamps and 300W max in case of CFL or LED lamps. It consists of infrared sensors and function Lux adjustment trimmer. When motion is spotted within the detection range of the product, the detector is activated and it turns the load on. The load is switched off after the preset time of delay which can vary between 10sec ± 3sec to 7min ± 2min when no other motion is detected.

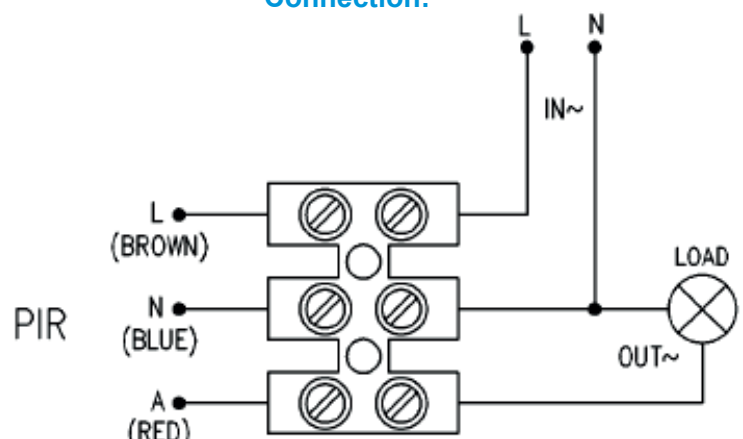
- It offers savings and comfort by controlling the lighting loads based on the human movement.
- Simple and easy lux & time adjustment.



Specifications

Rated Wattage	1200W incadescent lights 300W CFL-LED lights
Rated Voltage	220V ~ 240V
Frequency	50Hz ~ 60Hz
Power Consumption	~0,5W
Detection Range	180°
Detection Distance	12m max (<24°C)
Time Delay	10sec ± 3sec to 7min ± 2min adj.
Ambient Light	<10Lux ~ 2000Lux adj.
Detection Moving Speed	0.6m/s ~ 1.5m/s
IP Protection	IP44
Working Temperature	-20°C ~ +40°C
Working Humidity	< 93%RH
Type of installation	Wall mounted
Installation height	1.8m ~ 2.5m @
Color	White
Certification	LVD 2014/35/EU RoHS 2011/65/EU

Connection:



The technical data of the product may differ from the listed +/- 10%

