

LED SMD PARK LUMINAIRE ADJUSTABLE WATTAGE

Code:

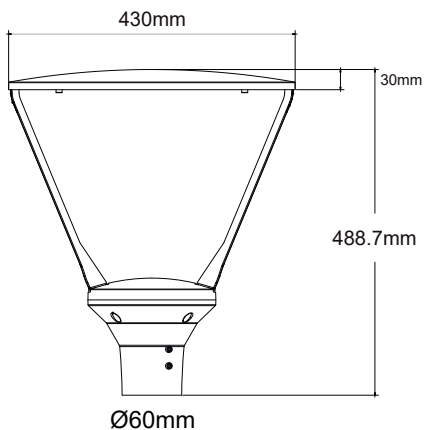
ESTOR34540

5 YEARS
GUARANTEE



Application

- Suitable for park, square and side road lighting



Technical Data

Housing Material **Die-casting Aluminum**

Optic Material **Glass**

Color **Grey**


Input Voltage **230V AC**

Input Frequency **50~60Hz**

Total Wattage **30W / 40W / 50W**

LED Type **SMD LUMILEDS 2835**

Lifespan **50.000 hours**

Protection Class **CLASS I** 

Ingress Protection **IP66**

Power Factor **IK08**

Surge Protection **10kV**

Function Temperature **-40°~+55°C**

LED Driver **Yes**

Replaceable LED / Driver **Yes / Yes**

Photometrical Data

Color Temperature **4000K**

Lumen **5100Lm / 6600Lm / 8000Lm**

Απόδοση (Lm/W) **170Lm/W | 165Lm/W | 160Lm/W**

Light Beam Spread **140°x140°**

Color Rendering Index (Ra) **≥70**

Energy Data

Energy Efficiency Label **C**

The technical data of the product may differ from the listed +/- 10%



APOSTOLIDIS TRADING
Industrial area of Serres | 62100 Serres, Greece
T. +30 23210 77020-21 | F. +30 23210 77022
info@acalight.gr | www.acalight.gr

