

LED EMERGENCY LUMINAIRE

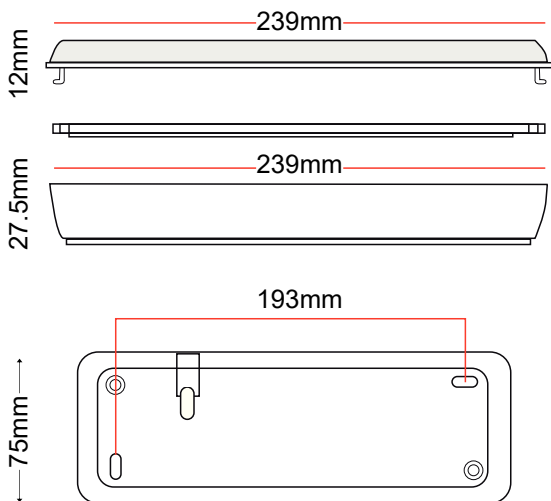
2 YEARS
GUARANTEE
(1 YEAR GUARANTEE FOR BATTERY)



Application

• This luminaire is suitable for indoor installation in areas and it is suggested for emergency lighting

- Wall installation



- Green function indicator light
- Red charging indicator light

Technical Data

Housing Material	Thermoplastic (ABS)
Optic Material	Plastic
Color	White
Input Voltage	230V AC
Input Frequency	50~60Hz
Total Wattage	1.5W
LED Type	SMD2835
Lifespan	30.000 hours
Protection Class	CLASS II
Ingress Protection	IP20
Operating Temperature	-10 ~ +50 C°
Driver	Yes (Inside)
Dimming	No
Light Source Replaceable	No
Cable	No
Battery	3.6V / 0.3Ah Ni-Cd
Autonomy	1.5 Hour
Function	Non-Maintained
Vision Range	12m

Photometrical Data

Color Temperature	6000K
Lumen	100Lm
Light Beam Spread	120°
Color Rendering Index (Ra)	≥80

Energy Data

Energy Consumption	1.5 kWh/1000h
--------------------	---------------

The technical data of the product may differ from the listed +/- 10%

