

# LED LINEAR LUMINAIRE

Code:  
**HOLY2440**

**2 YEARS**  
GUARANTEE



## Technical Data

Housing Material **Anodised Aluminum**

Optic Material **Opal Silicone**

Color **Upon Request**


Input Voltage **230V AC**

Input Frequency **50~60Hz**

Total Wattage **24W**

LED Type **SMD LED STRIP**

Lifespan **30.000 hours**

Protection Class **CLASS I** 

Ingress Protection **IP20**

Ambient Temperature Range **-20° ~ +50°**

LED Driver **Included**

Dimming **No**

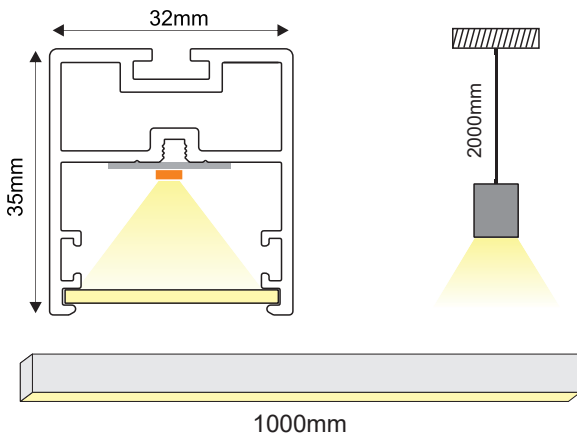
Replaceable LED / Driver **Yes / Yes**

DRIVER BOX (Ø350x40mm)



## Application

- Suitable for indoor installation



## Photometrical Data

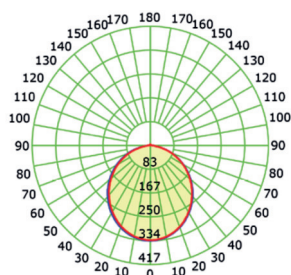
Color Temperature **3000K**

LED Luminous Flux **2200Lm**

Light Beam Spread **120° Symmetrical**

Lighting Transparency **50%**

Color Rendering Index (Ra) **≥80**



## Energy Data

Energy Efficiency Label **F**

Energy Consumption **24.0 kWh/1000h**

The technical data of the product may differ from the listed +/- 10%

