

**MAGNETIC LED TRACK LUMINAIRE**

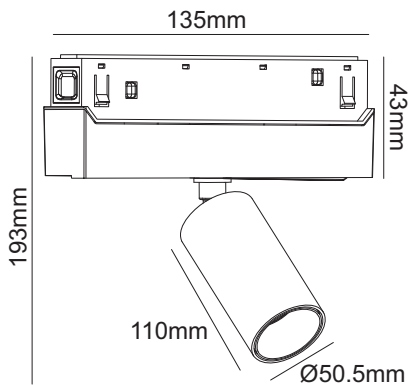
**3 YEARS**  
GUARANTEE




**OSRAM**

**Application**

- This luminaire is suitable for indoor installation



**Technical Data**

Housing Material	<b>Aluminum</b>
Optic Material	<b>Polycarbonate</b>
Color	<b>White</b>
Input Voltage	<b>48V DC</b>
Input Frequency	<b>50~60Hz</b>
Total Wattage	<b>12W</b>
LED Type	<b>COB</b>
Lifespan	<b>30.000 hours</b>
Protection Class	<b>CLASS III</b> 
Ingress Protection	<b>IP20</b>
LED Driver	<b>Yes (Built-in)</b>
Dimming	<b>No</b>
Replaceable LED / Driver	<b>Yes / Yes</b>

**Photometrical Data**

Color Temperature	<b>4000K</b>
Lumen	<b>800Lm</b>
Light Beam Spread	<b>36°</b>
Color Rendering Index (Ra)	<b>≥90</b>

**Energy Data**

Energy Efficiency Label	<b>F</b>
Energy Consumption	<b>12.0 kWh/1000h</b>

The technical data of the product may differ from the listed +/- 10%

