

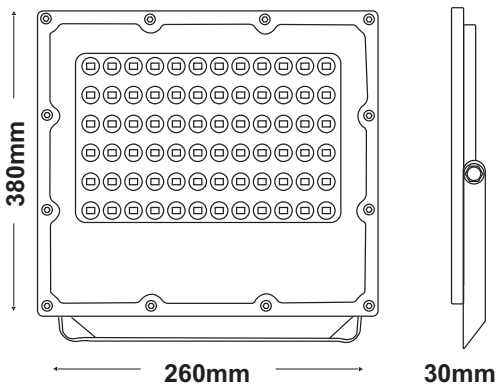
LED FLOOD LUMINAIRE

5 YEARS
GUARANTEE




Application

- Suitable for outdoor installation
- Suggested for general lighting applications



Technical Data

Housing Material	Aluminium
Optic Material	PC (UV Resistant)
Color	Black
Input Voltage	100V-270V AC
Input Frequency	50~60Hz
Total Wattage	150W
LED Type	SMD
Lifespan	50.000 hours
Protection Class	CLASS I 
Ingress Protection	IP65
Mechanical Impact Degree	IK08
Ambient Temperature Range	-25°C ~ 45°C
Driver	Built-in
Dimming	No
Replaceable LED / Driver	No / No
Power Supply Cable	3*0.75mm² (400mm)

Photometrical Data

Color Temperature	4000K
Lumen	18000Lm
Light Beam Spread	90°
Color Rendering Index (Ra)	≥80

Energy Data

Energy Efficiency Label	D
Energy Consumption	150.0 kWh/1000h

The technical data of the product may differ from the listed +/- 10%

