

LED SMD STREET SOLAR LUMINAIRE WITH MOTION SENSOR

Code:
LANE15040

2 Years
Warranty



10m / 120°



Technical Data

Material **ABS**

Material (secondary) **PC – Polycarbonate**

Color **Grey**

Power **150W**

LED Chip Type **SMD (LM80)**

Lifetime (Hours) **15.000 Hrs**

IP- Fluid and Dust Protection Indicator **IP65**

Driver LED **Yes (built in)**

Replaceable LED Chip / Driver **No / No**

Photometrical Data

Color Temperature (Kelvin) **4000K**

Luminus Flux (Lumen) **2400Lm***

Beam Angle/ Light Direction **85°×160°**

Color Rendering Index (CRI) **≥80**

Panel Data

Monocrystalline Panel **15Wp/5V**

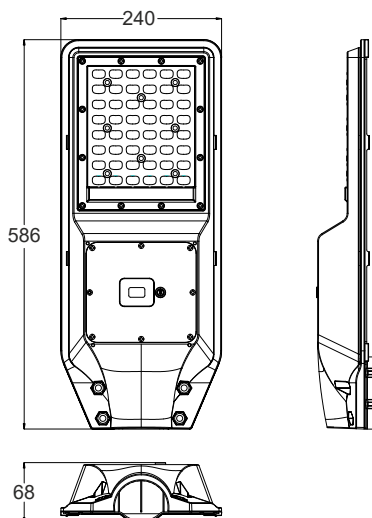
Battery data

Battery characteristics **3.2V / 15Ah LiFePO4**

Autonomy **2-3 days***

Application

- Suitable for outdoor installation



The technical data of the product may differ from the listed +/- 10%

*Depends on battery charge level



APOSTOLIDIS TRADING
Industrial area of Serres | 62100 Serres, Greece
T. +30 23210 77020-21 | F. +30 23210 77022
info@acalight.gr | www.acalight.gr

