

LED SMD WALL UP DOWN LUMINAIRE


Code:
LG7210G

2 YEARS
GUARANTEE

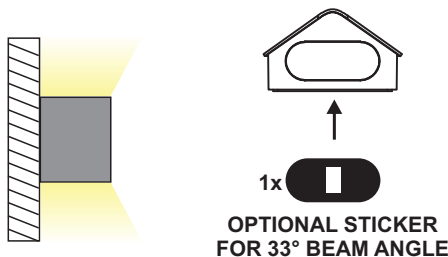
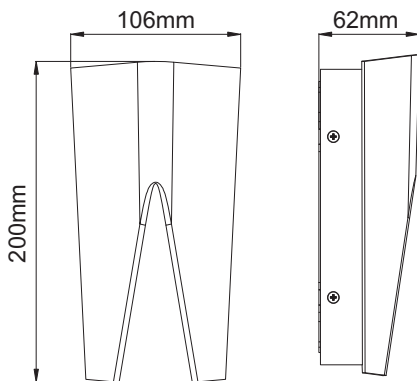


OSRAM
Opto Semiconductors

Technical Data

Housing Material	Aluminum
Optic Material	Glass
Color	Dark Grey
Input Voltage	230V AC
Input Frequency	50~60Hz
Total Wattage	11W
LED Type	SMD (LM80)
Lifespan	30.000 hours
Protection Class	CLASS I 
Ingress Protection	IP65
LED Driver	Yes (Built-in)
Dimming	No
Replaceable LED / Driver	Yes / Yes

• Suitable for outdoor installation.



Photometrical Data

Color Temperature	3000K
Lumen	370Lm
Light Beam Spread	140° (33°)
Color Rendering Index (Ra)	≥80

Energy Data

Energy Efficiency Label	E
Energy Consumption	11.0 kWh/1000h

The technical data of the product may differ from the listed +/- 10%

