


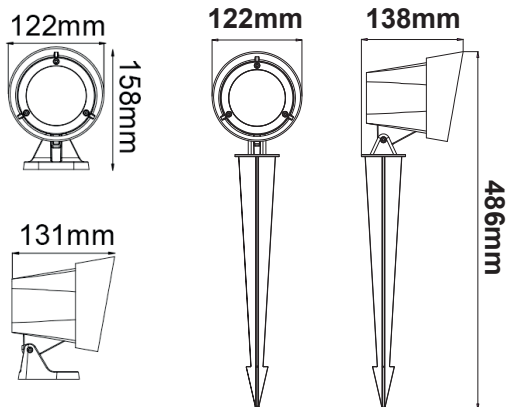
LED COB SPOT LUMINAIRE

2 YEARS
GUARANTEE



Technical Data

Housing Material	Aluminum
Optic Material	Polycarbonate
Color	Glass
Input Voltage	230V AC
Input Frequency	50~60Hz
Total Wattage	19W
LED Type	COB
Lifespan	30.000 hours
Protection Class	CLASS I 
Ingress Protection	IP66
LED Driver	Yes (Built-in)
Dimming	No
Replaceable LED / Driver	No / No



Photometrical Data

Color Temperature	3000K
Lumen	1400Lm
Light Beam Spread	40°
Color Rendering Index (Ra)	≥80

Energy Data

Energy Efficiency Label	G
Energy Consumption	19.0 kWh/1000h

The technical data of the product may differ from the listed +/- 10%

