

LED TRACK SYSTEM LUMINAIRE

Code:

LISOR1940B450

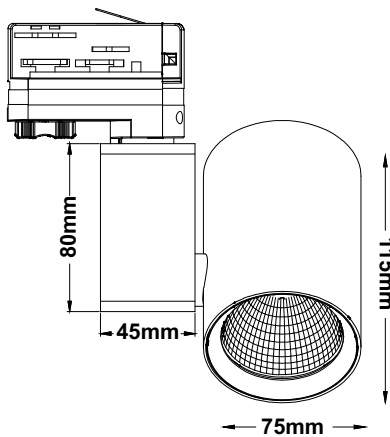
5 YEARS
GUARANTEE

TRIDONIC OSRAM




Application

- This luminaire is suitable for indoor installation



Technical Data

Housing Material	Aluminum
Optic Material	GLS
Color	Black
Input Voltage	230V AC
Input Frequency	50~60Hz
Total Wattage	19W
LED Type	COB
Lifespan	50.000 hours
Protection Class	CLASS II 
Ingress Protection	IP20
LED Driver	In track
Dimming	No
Replaceable LED / Driver	No / Yes
Power Supply	3-Phases

Photometrical Data

Color Temperature	4000K
Lumen	2450Lm
Light Beam Spread	34°
Color Rendering Index (Ra)	≥80

Energy Data

Energy Efficiency Label	C
Energy Consumption	19.0 kWh/1000h

Τα τεχνικά στοιχεία του προϊόντος ενδέχεται να διαφέρουν από τα αναγραφόμενα +/- 10%

