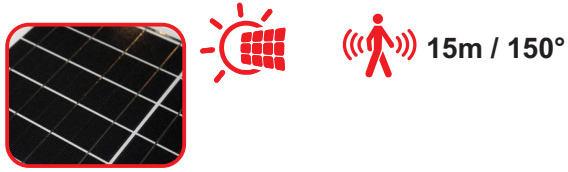


LED SMD SMART SOLAR SENSOR STREET LUMINAIRE with DAY - NIGHT FUNCTION

Code:
LUNAR12040

5 YEARS GUARANTEE
LUMINAIRE &
BATTERY



 15m / 150°

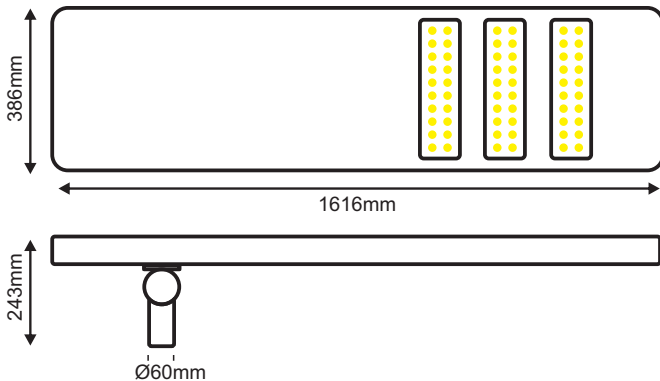


3 Modes

- **AUTO MODE**
- **CONSTANT LIGHTING**
- **SENSOR MODE**

Application

- *Suitable for outdoor installation & street lighting*



Technical Data

Housing Material	Die-casting Aluminum
Optic Material	Polycarbonate
Color	Black
Total Wattage	120W
LED Type	SMD (LM80)
Lifespan	50.000 hours
Panel Lifespan	20 years
Ingress Protection	IP66
LED Driver	Yes (Built-in)
Replaceable LED / Driver	No / No

Photometrical Data

Color Temperature	4000K
Lumen	18000Lm*
Light Beam Spread	140°x78°
Color Rendering Index (Ra)	≥80

Panel Data

Monocrystalline Panel	82Wp/36V
-----------------------	-----------------

Battery Data

Battery Type	25.6V / 24Ah LiFePO4
Autonomy	3-6 days*

The technical data of the product may differ from the listed +/- 10%

*Depends on battery charging level



APOSTOLIDIS TRADING
Industrial area of Serres | 62100 Serres, Greece
T. +30 23210 77020-21 | F. +30 23210 77022
info@acalight.gr | www.acalight.gr

