

Code:

NEXUS404030

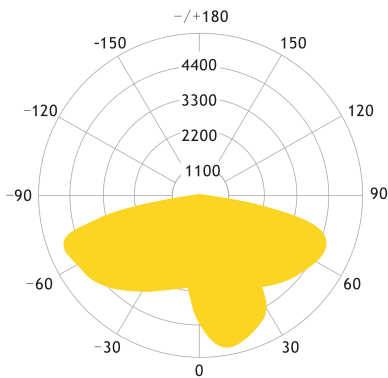
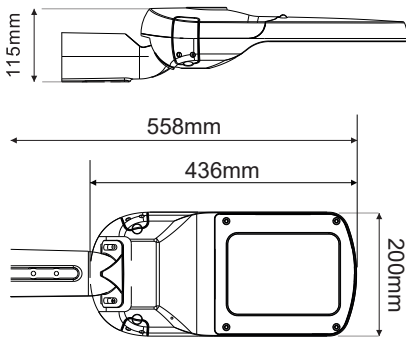
LED SMD STREET LUMINAIRE

5 YEARS
GUARANTEE



Application

- Suitable for street lighting



Technical Data

| | |
|---------------------------------|-------------------------|
| Housing Material | Die-casting Aluminum |
| Optic Material | Glass |
| Color | Grey |
| Input Voltage | 230V AC |
| Input Frequency | 50~60Hz |
| Total Wattage | 40W |
| LED Type | PHILIPS Lumileds (LM80) |
| Lifespan | 72.000 hours |
| Protection Class | CLASS I |
| Ingress Protection | IP66 |
| Mechanical Impact Degree | IK10 |
| Surge Protection | 10kV |
| Total Harmonic Distortion (THD) | <20% |
| Power Factor | ≥0.95 |
| Operation Temperature | -30°~+45°C |
| LED Driver | Meanwell |
| Replaceable LED / Driver | Yes / Yes |

Photometrical Data

| | |
|----------------------------|---------------------|
| Color Temperature | 4000K |
| Lumen | 5200Lm |
| Light Beam Spread | TYPE III (80°x150°) |
| Color Rendering Index (Ra) | ≥70 |

Energy Data

| | |
|-------------------------|----------------|
| Energy Efficiency Label | D |
| Energy Consumption | 40.0 kWh/1000h |

The technical data of the product may differ from the listed +/- 10%



APOSTOLIDIS TRADING
Industrial area of Serres | 62100 Serres, Greece
T. +30 23210 77020-21 | F. +30 23210 77022
info@acalight.gr | www.acalight.gr

