

LED SMD STREET LUMINAIRE

Code:
NORD10040

5 YEARS
GUARANTEE



Technical Data

Housing Material **Die-casting Aluminum**

Optic Material **Polycarbonate**

Color **Grey**

Input Voltage **230V AC**

Input Frequency **50~60Hz**

Total Wattage **100W**

LED Type **SMD**

Lifespan **50.000 hours**

Protection Class **CLASS I**

Ingress Protection **IP66**

Power Factor **IK09**

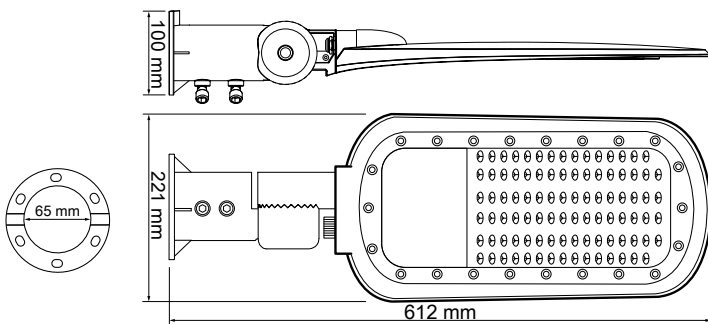
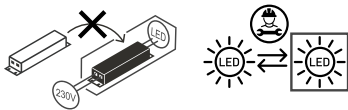
Surge Protection **4kV**

LED Driver **Yes (built-in)**

Replaceable LED / Driver **Yes / No**

Application

- Suitable for street lighting



Photometrical Data

Color Temperature **4000K**

Lumen **14000Lm**

Light Beam Spread **140° x 90°**

Color Rendering Index (Ra) **≥70**

Energy Data

Energy Efficiency Label **D**

Energy Consumption **100.0 kWh/1000h**

The technical data of the product may differ from the listed +/- 10%

