

LED SMD STREET LUMINAIRE

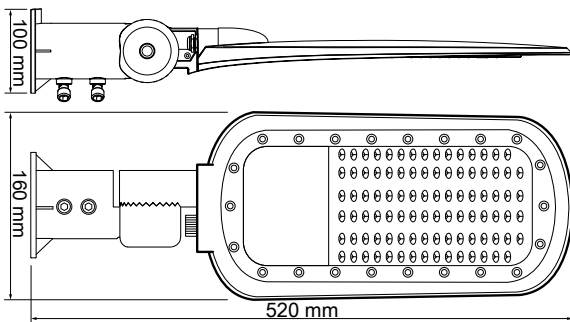
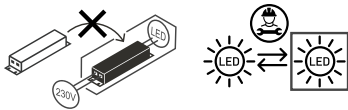
Code:
NORD4040

5 YEARS
GUARANTEE



Application

- Suitable for street lighting



Technical Data

Housing Material	Die-casting Aluminum
Optic Material	Clear Polycarbonate
Color	Grey
Input Voltage	230V AC
Input Frequency	50~60Hz
Total Wattage	40W
LED Type	SMD
Lifespan	50.000 hours
Protection Class	CLASS I
Ingress Protection	IP66
Mechanical Impact Degree	>0.9
Power Factor	IK10
LED Driver	Yes (built-in)
Replaceable LED / Driver	Yes / Yes

Photometrical Data

Color Temperature	4000K
Lumen	5600Lm
Light Beam Spread	140° x 90°
Color Rendering Index (Ra)	≥70

Energy Data

Energy Efficiency Label	D
Energy Consumption	40.0 kWh/1000h

The technical data of the product may differ from the listed +/- 10%

