

LED LINEAR LUMINAIRE

Code:
OLAN1133015C

2 YEARS
GUARANTEE

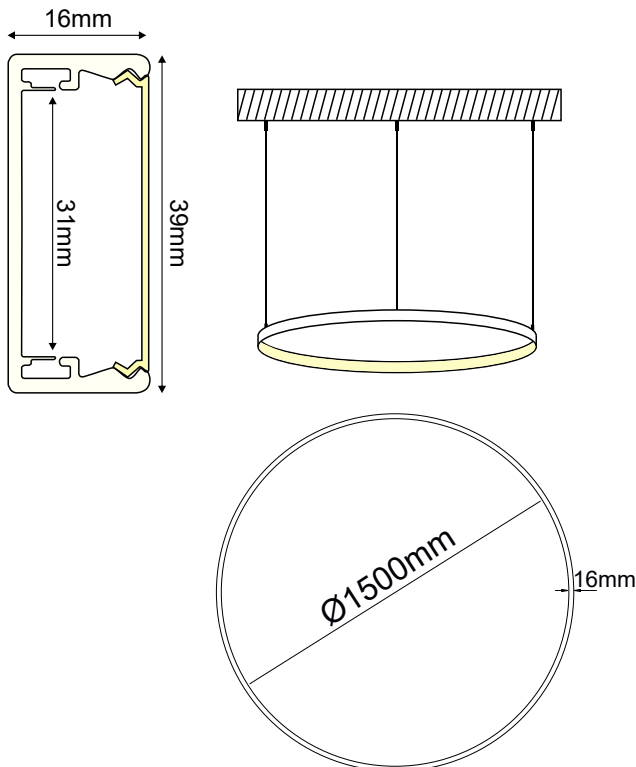


DRIVER BOX (Ø350x40mm)



Application

- Suitable for indoor installation



Technical Data

Housing Material	Aluminum
Optic Material	Polycarbonate
Color	Sand Black
Input Voltage	230V AC
Input Frequency	50~60Hz
Total Wattage	113W
LED Type	SMD LED Strip
Lifespan	30.000 hours
Protection Class	CLASS I
Ingress Protection	IP20
Ambient Temperature Range	-20° ~ +50°
LED Driver	Included
Dimming	No
Replaceable LED / Driver	Yes / Yes

Photometrical Data

Color Temperature	3000K
LED Luminous Flux	10400Lm
Light Beam Spread	120° Symmetrical
Lighting Transparency	70%
Color Rendering Index (Ra)	≥80

Energy Data

Energy Efficiency Label	F
Energy Consumption	113.0 kWh/1000h

The technical data of the product may differ from the listed +/- 10%

