

LED SMD PANEL

Code:
OTIS301204040N

2 YEARS
GUARANTEE

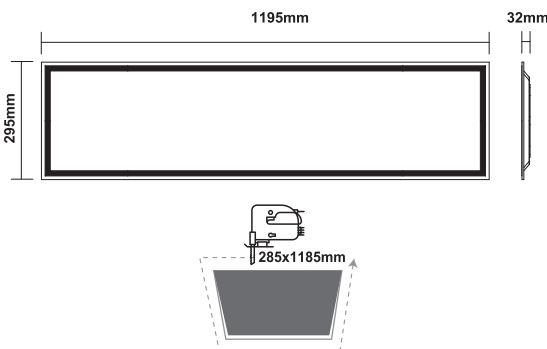


Application

Suitable for indoor installation

Extra Accessories

PENDKIT: Pendant installation kit
SPRINGKITN: Recessed installation kit
FR3012065: Ceiling installation frame



Technical Data

Housing Material	Aluminum
Optic Material	Opal Plastic + PMMA
Color	White
Input Voltage	230V AC
Input Frequency	50~60Hz
Total Wattage	40W
LED Type	SMD
Lifespan	30.000 hours
Protection Class	CLASS II
Ingress Protection	IP20
Total Harmonic Distortion (THD)	<12%
Ripple	±5%
Power Factor	≥0.90
Operation Temperature	-10° ~ +50°
LED Driver	Yes (External)
Dimming	No
Replaceable LED / Driver	No / Yes
Power Cable + Driver	510mm

Photometrical Data

Color Temperature	4000K
Lumen	4000Lm
Light Beam Spread	120° Symmetric
Color Rendering Index (Ra)	≥80

Additional Data

Weight	1.43kg
Quantity per Box	2
Boxes per Master Packing	6

EAN/UPC **5208055078899**

The technical data of the product may differ from the listed +/- 10%

