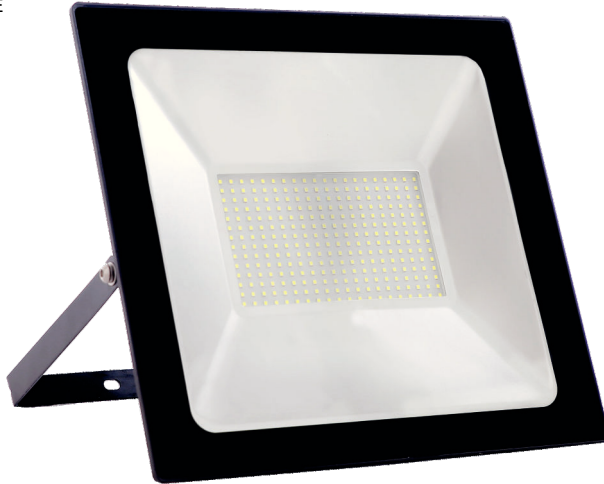


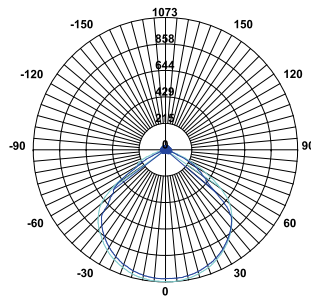
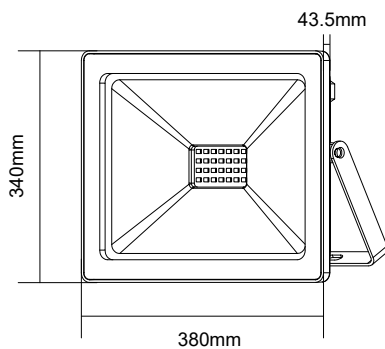
LED FLOOD LUMINAIRE

2 YEARS
GUARANTEE



Application

- Suitable for outdoor installation
- Suggested for general lighting applications



Technical Data

Housing Material	Die-casting Aluminum
Optic Material	Glass
Color	Black
Input Voltage	230V AC
Input Frequency	50~60Hz
Total Wattage	200W
LED Type	SMD (LM80)
Lifespan	30.000 hours
Protection Class	CLASS I
Ingress Protection	IP66
Mechanical Impact Degree	IK09
Ambient Temperature Range	-20° ~ +50°
Driver	Built-in
Dimming	No
Replaceable LED / Driver	No / No
Power Supply Cable	3*0.75mm ² (400mm)

Photometrical Data

Color Temperature	6000K
Lumen	17600Lm
Light Beam Spread	110° Symmetrical
Color Rendering Index (Ra)	≥80

Energy Data

Energy Efficiency Label	F
Energy Consumption	200.0 kWh/1000h

The technical data of the product may differ from the listed +/- 10%

