

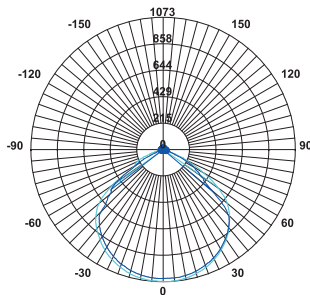
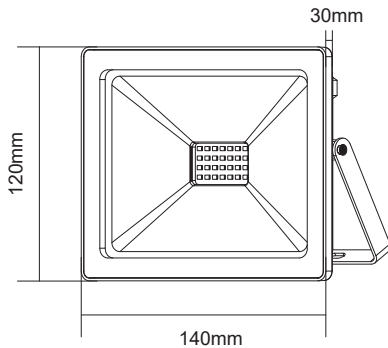
## LED FLOOD LUMINAIRE

**2 YEARS**  
GUARANTEE



### Application

- Suitable for outdoor installation
- Suggested for general lighting applications



### Technical Data

|                           |                               |
|---------------------------|-------------------------------|
| Housing Material          | Die-casting Aluminum          |
| Optic Material            | Glass                         |
| Color                     | Black                         |
| Input Voltage             | 230V AC                       |
| Input Frequency           | 50~60Hz                       |
| Total Wattage             | 30W                           |
| LED Type                  | SMD (LM80)                    |
| Lifespan                  | 30.000 hours                  |
| Protection Class          | CLASS I                       |
| Ingress Protection        | IP66                          |
| Mechanical Impact Degree  | IK09                          |
| Ambient Temperature Range | -20° ~ +50°                   |
| Driver                    | Built-in                      |
| Dimming                   | No                            |
| Replaceable LED / Driver  | No / No                       |
| Power Supply Cable        | 3*0.75mm <sup>2</sup> (400mm) |

### Photometrical Data

|                            |                  |
|----------------------------|------------------|
| Color Temperature          | 4000K            |
| Lumen                      | 2550Lm           |
| Light Beam Spread          | 110° Symmetrical |
| Color Rendering Index (Ra) | ≥80              |

### Energy Data

|                         |                |
|-------------------------|----------------|
| Energy Efficiency Label | F              |
| Energy Consumption      | 30.0 kWh/1000h |

The technical data of the product may differ from the listed +/- 10%

