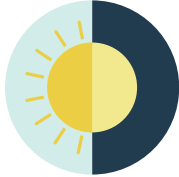
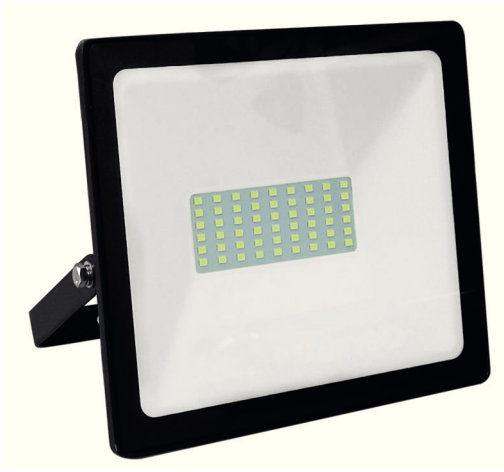


## LED FLOOD LUMINAIRE WITH DAY-NIGHT SENSOR

Code:  
**Q5060DN**

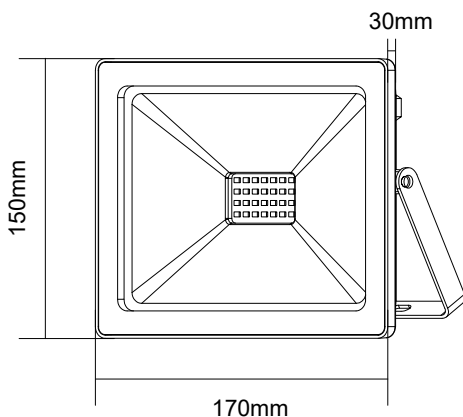
**2** YEARS  
GUARANTEE



**Day - Night Sensor**  
Activated by <10 Lux

### Application

- Suitable for outdoor installation



### Technical Data

Housing Material	<b>Die-casting Aluminum</b>
Optic Material	<b>Glass</b>
Color	<b>Black</b>
Input Voltage	<b>230V AC</b>
Input Frequency	<b>50~60Hz</b>
Total Wattage	<b>50W</b>
LED Type	<b>SMD (LM80)</b>
Lifespan	<b>30.000 hours</b>
Protection Class	<b>CLASS I</b>
Ingress Protection	<b>IP66</b>
Mechanical Impact Degree	<b>IK09</b>
Ambient Temperature Range	<b>-20° ~ +50°</b>
Driver	<b>Built-in</b>
Dimming	<b>No</b>
Replaceable LED / Driver	<b>No / No</b>
Power Supply Cable	<b>3*0.75mm<sup>2</sup> (400mm)</b>

### Photometrical Data

Color Temperature	<b>6000K</b>
Lumen	<b>4500Lm</b>
Light Beam Spread	<b>110° Symmetrical</b>
Color Rendering Index (Ra)	<b>≥80</b>

### Energy Data

Energy Efficiency Label	<b>F</b>
Energy Consumption	<b>50.0 kWh/1000h</b>

The technical data of the product may differ from the listed +/- 10%

