


## LED WALL LUMINAIRE

Code:  
**SF1801LEDB**

**2 YEARS**  
GUARANTEE



### Technical Data

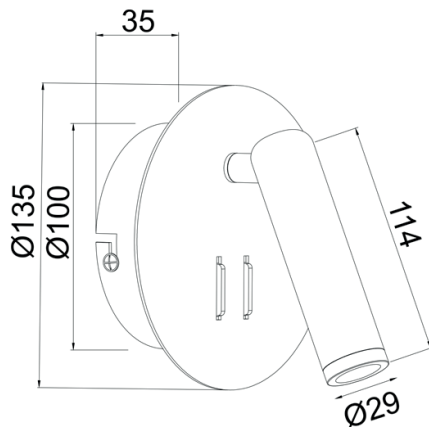
Housing Material	Metallic
Optic Material	Acrylic
Color	Black
Input Voltage	230V AC
Input Frequency	50~60Hz
Total Wattage	7W (4W+3W)
LED Type	PCB
Lifespan	20.000 hours
Protection Class	CLASS II 
Ingress Protection	IP20
Driver	Built-in
Dimming	No

### Photometrical Data

Color Temperature	3000K
Lumen	280Lm
Light Beam Spread	120°
Color Rendering Index (Ra)	≥80

### Application

- Suitable for indoor installation



### Energy Data

Energy Efficiency Label **F**

The technical data of the product may differ from the listed +/- 10%

