

TRACK SPOT GU10 1-PHASE

Κωδικός:
TS68GU3CB

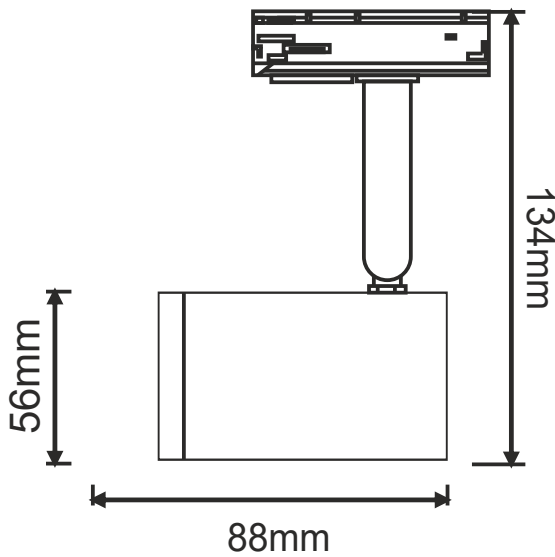


Technical Data

Housing Material	Aluminum
Optic Material	Glass
Color	Black
Input Voltage	230V AC
Input Frequency	50~60Hz
Socket type	1×GU10 (max.40W)
Ingress Protection	IP20
Light Beam Spread	120°

Application

This luminaire is suitable for indoor application.



The technical data of the product may differ from the listed +/- 10%

