

# LED RECESSED LINEAR LUMINAIRE DIMMABLE

HIGH OUTPUT SERIES

Code:  
**VYLO6140HODIM**

**5 YEARS**  
GUARANTEE

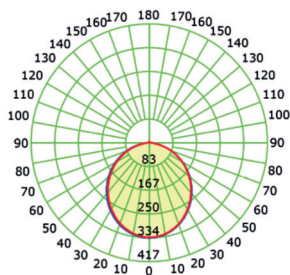
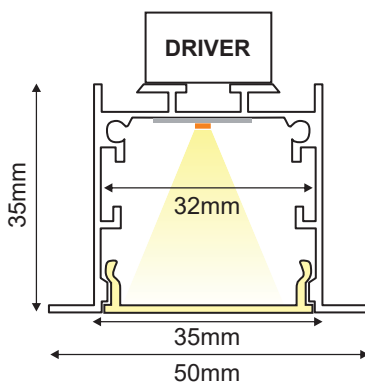
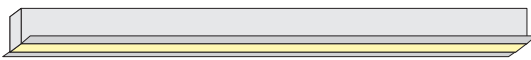
**TRIDONIC**



## Application

- Suitable for indoor installation

2190mm ±5%



## Technical Data

Housing Material **Anodised Aluminum**

Optic Material **Opal Polycarbonate**

Color **Upon Request**

Input Voltage **230V AC**

Input Frequency **50~60Hz**

Total Wattage **61W**

LED Type **SMD LED MODULE**

Lifespan **72.000 hours**

Protection Class **CLASS I**

Ingress Protection **IP20**

Ambient Temperature Range **-20° ~ +50°**

LED Driver **Included**

Dimming **Yes**

Replaceable LED / Driver **Yes / Yes**

## Photometrical Data

Color Temperature **4000K**

Lumen **11570Lm**

Light Beam Spread **120° Symmetrical**

Color Rendering Index (Ra) **≥80**

## Energy Data

Energy Efficiency Label **C**

Energy Consumption **61.0 kWh/1000h**

The technical data of the product may differ from the listed +/- 10%

