

**LED RECESSED LINEAR LUMINAIRE**

ECONOMY SERIES

**5 YEARS**  
GUARANTEE

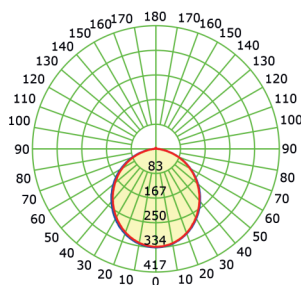
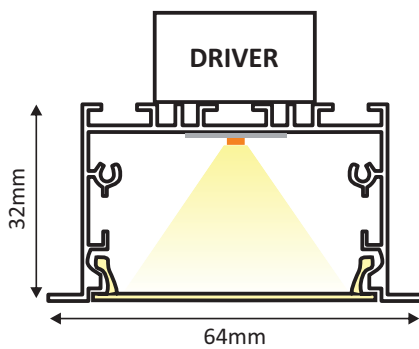
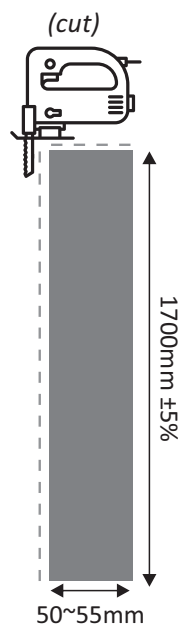
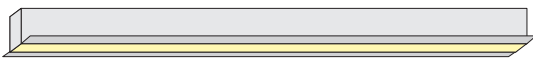
**TRIDONIC**



**Application**

- Suitable for indoor installation

1700mm ±5%



**Technical Data**

Housing Material **Anodised Aluminum**

Optic Material **Opal Polycarbonate**

Color **Upon Request**

Input Voltage **230V AC**

Input Frequency **50~60Hz**

Total Wattage **35W**

LED Type **SMD LED MODULE**

Lifespan **72.000 hours**

Protection Class **CLASS I**

Ingress Protection **IP20**

Ambient Temperature Range **-20° ~ +50°**

Dimming **No**

Replaceable LED / Driver **Yes / Yes**

Power Factor **≥0.94**

**Photometrical Data**

Color Temperature **4000K**

Lumen **5910Lm**

Light Beam Spread **120° Symmetrical**

Color Rendering Index (Ra) **≥80**

Lighting Transparency **75%**

**Energy Data**

Energy Efficiency Label **B**

Energy Consumption **35.0 kWh/1000h**

The technical data of the product may differ from the listed +/- 10%

